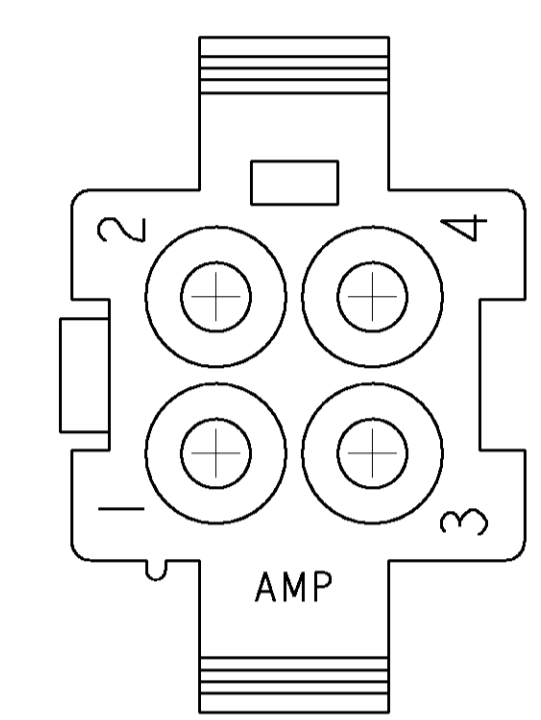
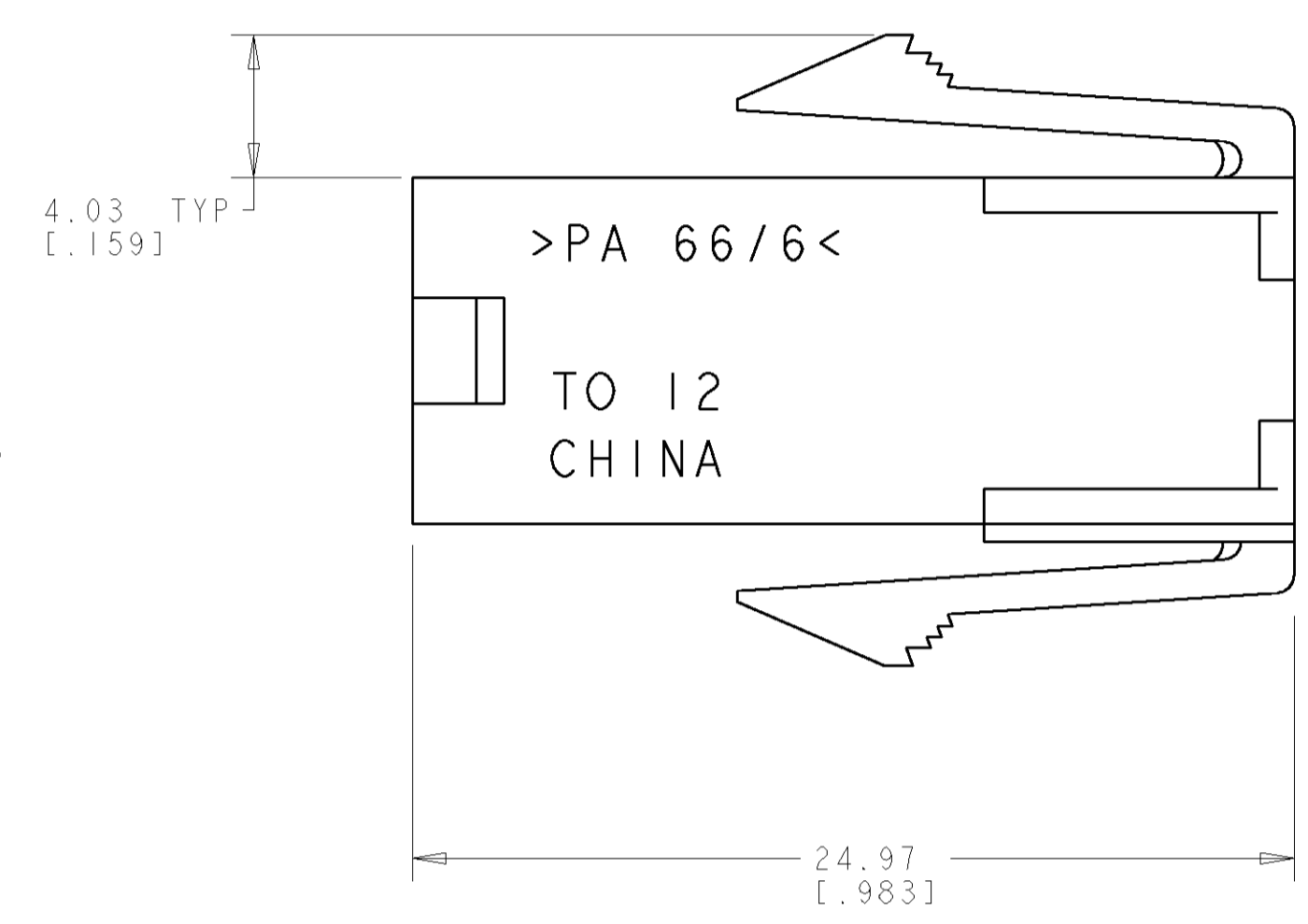
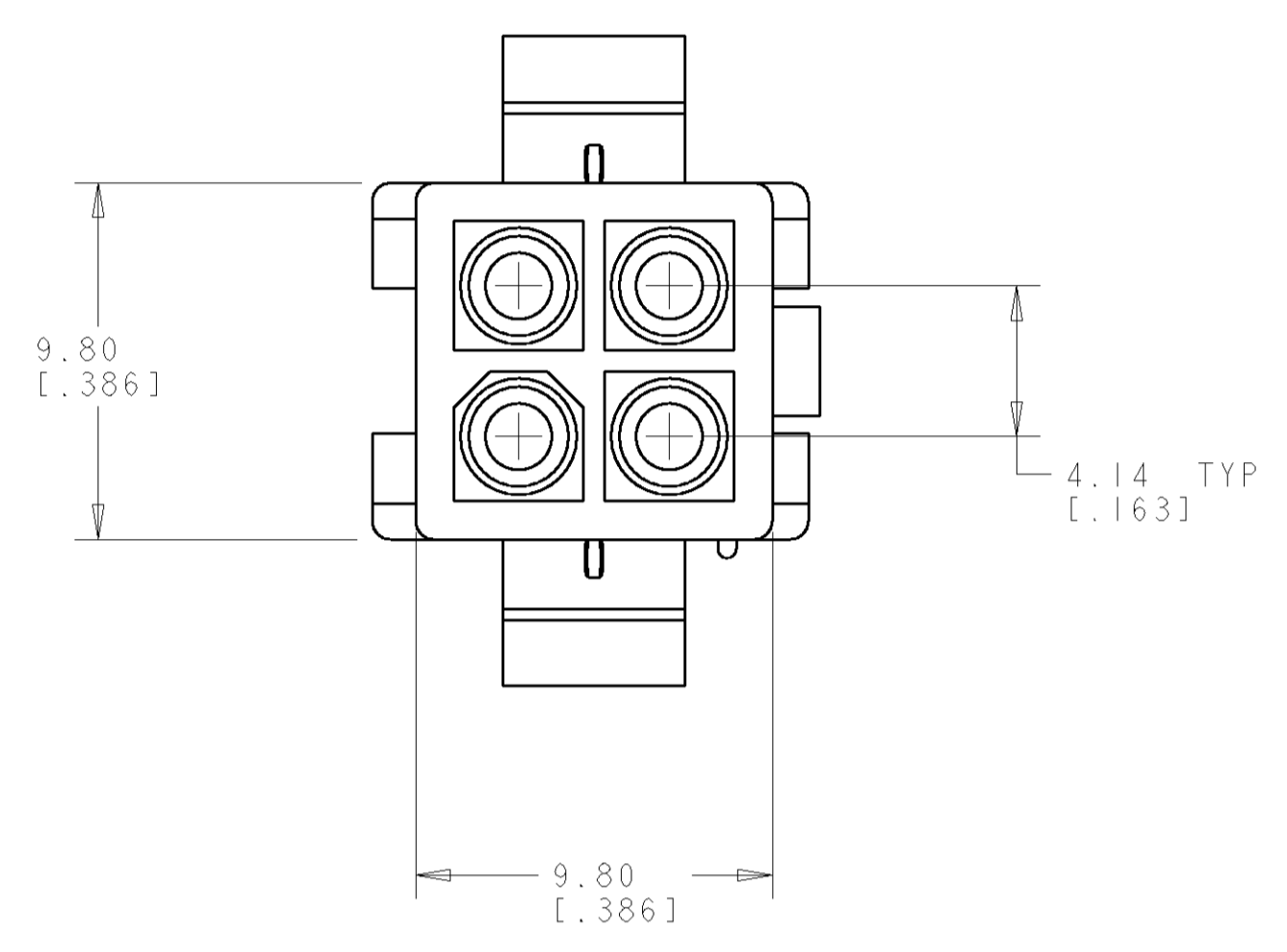
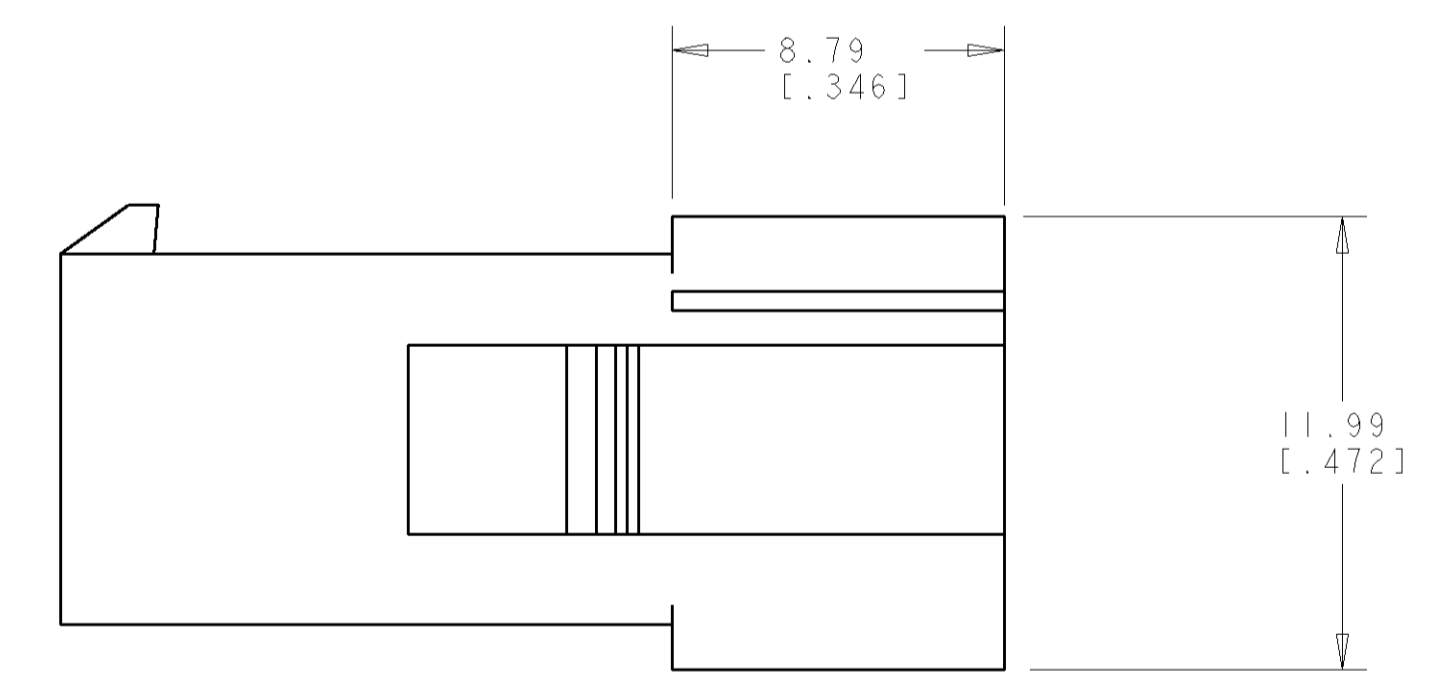
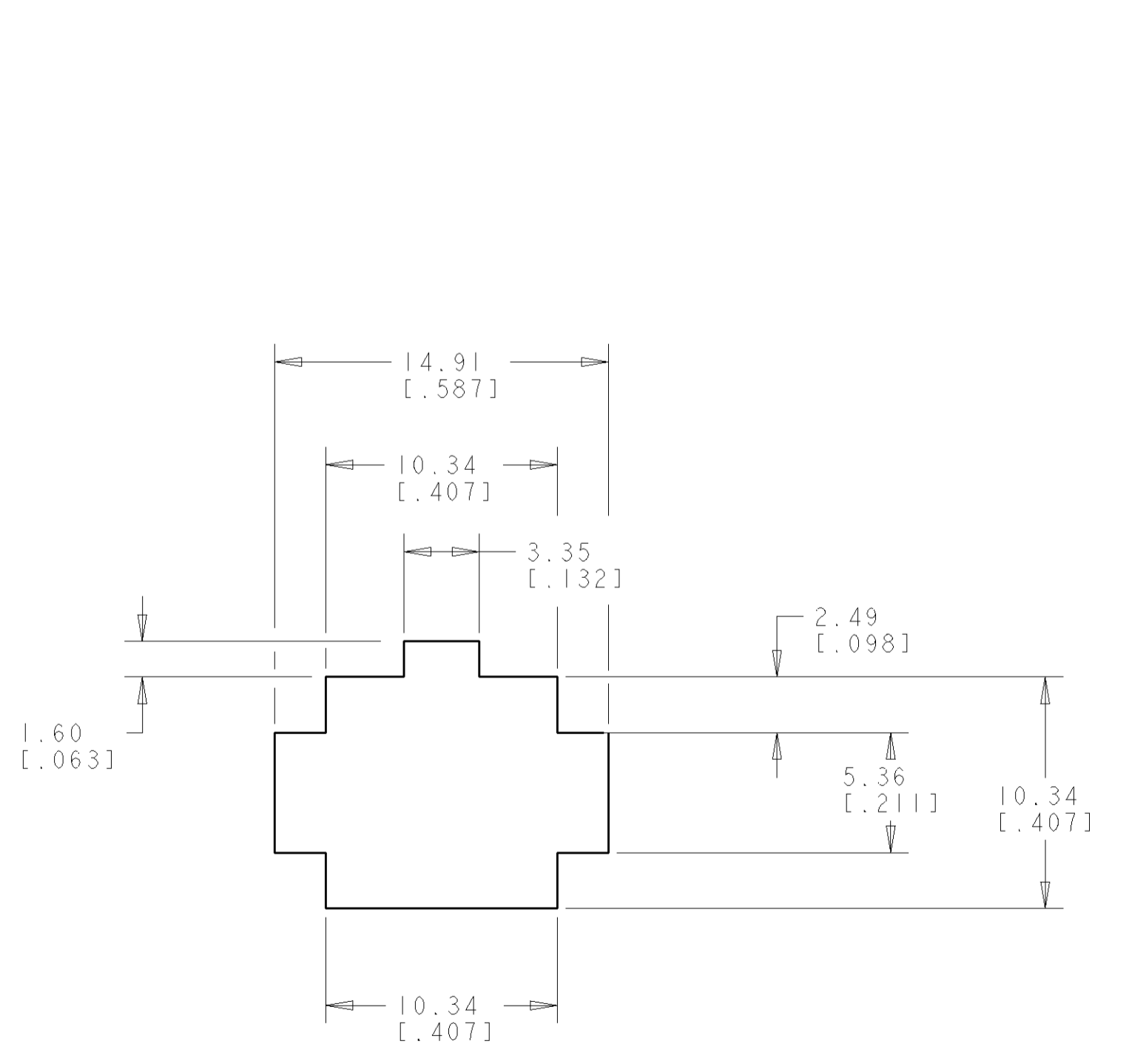


| LOC | | DIST | | REVISIONS | | | |
|-----|-----|--------------------------|---------|-----------|------|--|--|
| P | LTR | DESCRIPTION | DATE | DWN | APVD | | |
| A | | REVISED PER 0638-0251-04 | 22JUN04 | KW | CJ | | |

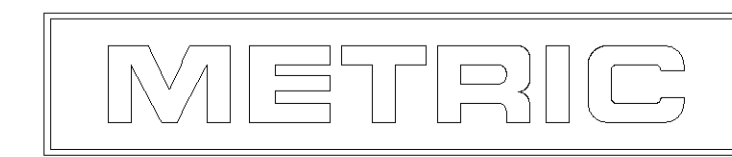


1. APPLICABLE CONTACT P/N: 170539, 170360, 170361, 170362.
2. DIMENSIONS IN BRACKETS ARE IN INCHES.
3. RECOMMENDED PANEL THICKNESS TO BE 0.8-2.0 [0.031-.079].
4. HOUSING INSERTION INTO THE PANEL CUT OUT MUST BE IN THE SAME DIRECTION AS THE PUNCH.



RECOMMENDED PANEL CUT OUT
 SCALE 4:1

794939-1
 PART NUMBER



| | | | |
|--|--|--|--|
| <small>THE DIMENSIONS TO WHICH THIS DRAWING IS REFERRED ARE THE DIMENSIONS TO WHICH THE PART IS TO BE MANUFACTURED UNLESS OTHERWISE SPECIFIED BY THE CUSTOMER OR THE DRAWING ENGINEER.</small> | | DWN B. WHITAKER 23-JULY-2001 | Tyco Electronics Harrisburg, PA 17105-3608 |
| DIMENSIONS: mm [INCHES] | | ENK C. JONES 23-JULY-2001 | NAME CAP, 4 CIRCUIT, SEALED APPLICATION, MINI UNIVERSAL MATE-N-LOK™ |
| TOLERANCES UNLESS OTHERWISE SPECIFIED: 0 PLC ± 1 PLC ± 2 PLC ±0.13 [0.005] 3 PLC ± 4 PLC ± ANGLES ±40° 30' | | PRODUCT SPEC APPLICATION SPEC WEIGHT | SIZE CAGE CODE DRAWING NO A 00779 C=794939 |
| MATERIAL NYLON, UL94V-0 NATURAL | | FINISH - | RESTRICTED TO CUSTOMER DRAWING SCALE 5:1 SHEET 1 OF 1 REV A |